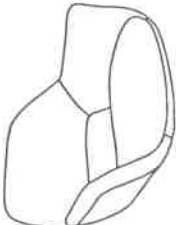
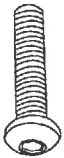
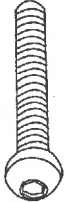

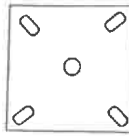
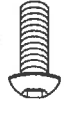


ASSEMBLY INSTRUCTION

Ax1		Ex5	 <p>M6*30mm</p>
Cx4		Gx1	 <p>M6</p>
Bx1		Fx2	 <p>M6*16mm</p>
Dx1	